



# SPRINGFIELD NURSERY LTD

107 Springfield Road, PO Box 7131, Taradale, Napier 4141

Phone/Fax (06) 844 7028

Email [springfield-nursery@xtra.co.nz](mailto:springfield-nursery@xtra.co.nz)

[www.springfieldnursery.co.nz](http://www.springfieldnursery.co.nz)

# 2011 CATALOGUE

**[www.springfieldnursery.co.nz](http://www.springfieldnursery.co.nz)**

**Mail Order or direct from the Nursery**

**107 Springfield Road, PO Box 7131, Taradale, Napier 4141**

**Phone/Fax (06) 844-7028**

**Email [springfield-nursery@xtra.co.nz](mailto:springfield-nursery@xtra.co.nz)**

**[www.springfieldnursery.co.nz](http://www.springfieldnursery.co.nz)**



107 Springfield Road, PO Box 7131, Taradale, Napier 4141  
Business/After hours: Phone/Fax (06) 844 7028  
Email [springfield-nursery@xtra.co.nz](mailto:springfield-nursery@xtra.co.nz)  
[www.springfieldnursery.co.nz](http://www.springfieldnursery.co.nz)

Welcome to our 2011 catalogue.

Orders are welcome by mail, email, phone or fax. Please advise the date you wish your trees to be sent or to be picked up.

**All prices do not include G.S.T**

Packaging and freight will be charged to the client.

Other lines will be propagated from time to time so please do not hesitate to contact us if there is something not listed that you require, or if you want something grown on contract.

A 20% deposit is required to confirm all orders. This deposit to be forfeited if an order is cancelled.

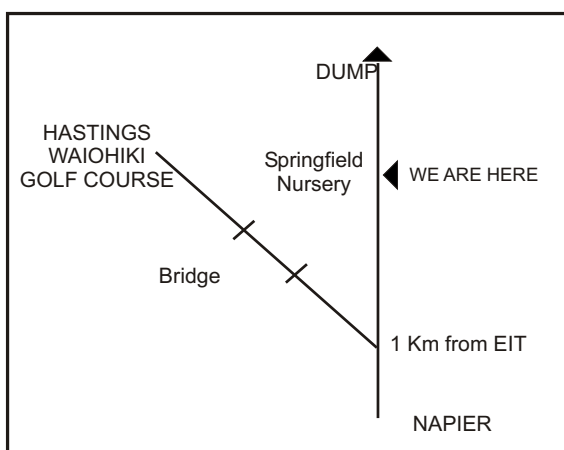
Payment to be made when trees are picked up or dispatched from the nursery. Payment of accounts is due on the 20th of the month following delivery.

We provide a consultancy service for farm or forestry plantings.  
Gift vouchers are also available.

Our Nursery is open 7 days a week.

Monday - Saturday 9am - 4.30pm  
Sunday 10am - 4.30pm

Please note we cannot send trees in Pb3 or bigger, due to courier height restrictions



# SPRINGFIELD NURSERY HELP PAGE

## SUGGESTIONS FOR PLANTING SPACE

**Eucalyptus and Acacia for firewood is recommended to plant at any of the following:**

2x2            apart = 2500/ha or 1000/acre  
2x2.5m       apart = 2000/ha or 800/acre  
2.5x2.5m     apart = 1600/ha or 650/acre

**Eucalyptus and Acacia for timber is recommended to plant at the following:**

4x3m apart = 825/ha or 334/acre, note to be thinned out considerably.

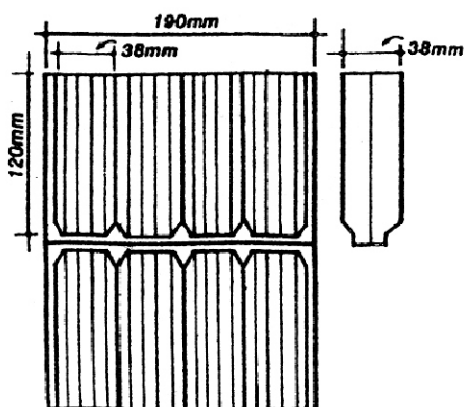
## **SPRINGFIELD NURSERY SUGGEST THE FOLLOWING TO HELP MAKE YOUR PLANTING A GREAT SUCCESS:**

Before planting make sure trees are moist, by either dipping in a bucket, under hose or in a trough if handy. Do NOT pull roots apart if Root Trainer stock. If soil is naturally free-draining, a planting hole slightly wider and deeper than root mass would be sufficient. If soil is heavy, cultivation of soil over a bigger area and below the plant would be worthwhile. Place root mass in the hole and firm soil round and over the roots, a little deeper (2-3cm) than in the container.

Weeding is very important to plant survival. Grasses and weeds will compete for moisture and nutrients. We suggest spot spraying before planting, letting grass die or discolour, then planting in the sprayed spots. (Roundup or glyphosate, no residual spray). Mulching produces excellent results keeping weeds down longer, holding moisture in summer and warmth in winter. There are plenty of mulches available, we have found the favourite is pea straw. There are a lot of ideas about planting times, often it depends on areas and what trees you are planting, container plants give you a longer planting season.

## **ROOTRAINERS**

These containers train roots downwards by grooves in container walls. This system stops the problem of root binding. All care is taken at pricking out stage to avoid any deformed root system. All grading and pricking out is done by experienced Nursery staff which gets us our good reputation and our known high quality.



**The Hillson roottrainer**

# Eucalyptus

Stock grown in Hilson rootainers

**1-12 \$1.78 each 13-99 \$1.57 each 100-999 \$1.30 each 1000+ \$1.20 each**

Prices for 100 & 1000 rate apply to one variety only  
(Euc Ficifolia \$2.83 each in 10cm pots or \$1.57 in RT)

**PRICES DO NOT INCLUDE G.S.T**

## **EUCALYPTUS SPECIES**

### **Eucalyptus botryoides** Southern Mahogany Gum

A hardy easily grown tree, its tolerance of salt winds widens its siting considerably as it produces good timber. Given sufficient space it will grow to large diameters. Timber is used for furniture, turnery, flooring, decking and panelling, a very useful all-round tree. Firewood.

### **Eucalyptus bosistoana** Coastal grey box

Tall straight stemmed tree. Produces hard, durable timber. Prefers well drained heavier soils but can tolerate limited periods of waterlogging and dry. Grows well on costal sands over clay. Nectar producer. Firewood.

### **Eucalyptus camaldulensis** Red River Gum

Thick trunked widely spreading handsome large tree with multi coloured bark, famed for its qualities of ground endurance, many permanently damp areas could be turned to profit by its use especially for fencing material. Red river gum will accept heavy clay soils that remain water-logged after heavy rain. It will also tolerate drought and frost. It will withstand hard pruning, but should not be planted too close to the house. This is an ideal tree for rural properties, giving shade and shelter. Firewood.

### **Eucalyptus cordata** Tasmanian silver gum

One of the most ornamental of the silver gums. Small to medium, dense growing tree-smooth white bark, mottled with green or purplish patches. White flowers August-September. Hardy.

### **Eucalyptus fastigata** Brownbarrel Cut tail

Because of its extremely rapid growth and an ability to grow in most soils, this tree has been used for timber, firewood and shelter. Timber has been used for framing, flooring, rails, battens and farm gates. Timber is not ground durable. Worth planting in managed plantations. Good for wind breaks.

### **Eucalyptus ficifolia** Red flowering gum \$2.83 each in 10cm pots or \$1.57 in R.T. Pb5 \$12.13

This popular beautiful flowering tree is cultivated throughout the world and has adapted to a wide range of conditions, including coastal, frost tender when young. Ask us about late plantings, get in soon, sells fast. Flowers can almost hide the foliage when fully out, a magnificent floral display.

### **Eucalypyus fraxinoides** White ash

Excellent fast growing tree of good form, for well drained moist sites. Good shelter tree.

### **Eucalypyus globoidea** White stringy bark

Prefers poor, sandy, well drained soils and is frost tender when young. Timber used for outdoor furniture for Auckland City Council Aotea square. Fairly ground durable. Firewood. Flowers white.

### **Eucalyptus globulus** Tasmanian blue gum

Very quick growing, excellent coppicing, excellent firewood, ground durable timber which has lasted upwards of 30-35years. This species prefers deep well drained soils, but will grow in most heavy soils, is frost resistant..

### **Eucalyptus gunnii** Cider gum

A tall, straight tree to 20m. It has a smooth grey to pinkish bark and beautiful, rounded grey juvenile foliage with silvery pink shoots, white flowers in summer. The juvenile foliage is used extensively in the florist industry. Is extremely frost resistant and will tolerate snow. It is one of the hardest of the Eucalyptus, and is tolerant of clays and free soils appear to be equally acceptable. It is proving valuable as a windbreak tree in exposed localities and its timber is being used as a fencing material. Firewood.

**Eucalyptus leucoxylon rosea** Winter flowering gum

Attractive tree planted for its winter flowering habit, varying from cream to red.

It is a magnificent tree for honey and is much visited by tui and bell birds. A hardy tree, tolerant of drought, wind and frost. Prefers good soils, but will grow in clays and lighter loams. .

**Eucalyptus melliodora** Yellow box

As an ornamental tree for shade or individual paddock planting, melliodora is one of the most attractive of the Eucalyptus. It is also a valuable timber tree. Regarded as the best honey producing tree. Does well in clays and light soils and will withstand dry periods and frost. Firewood.

**Eucalyptus muelleriana** Yellow stringy bark

This is a good farm tree, and one that can be grown with profit in heavy clays. The timber is valuable for fencing and milling. At its best on good well drained soils, and will grow on clay over sandstone.

E. Muelleriana will grow up well through openings cut in scrub or gorse.

It is possum-resistant in most districts. Firewood.

**Eucalyptus nicholii** Narrow leafed black peppermint

A small to medium sized graceful weeping tree to 20m with a fibrous persistent brown bark. It has a rounded compact crown of narrow light green leaves, often plum-coloured when young and smelling of eucalyptus menthol when crushed. Many small white flowers appear in autumn. This fast growing, adaptable tree will grow in moist soil with good drainage. It is hardy to frost and will tolerate dry periods. Can be pruned hard to encourage shrubby growth. A most ornamental tree.

**Eucalyptus nitens** Shining gum

When grown in clays and moist loams it has grown with extraordinary vigor. It seems to have a liking for really tough clays and grows happily in the most exposed situations. Excellent in hard country exposed to cold winds it has emerged as a strong possibility for the production of mild pale timber useful for many purposes. Very tall. Firewood. Proving to be tolerant of dry sites.

**Eucalyptus ovata** Swamp gum

This tree is hardy and grows rapidly in any reasonable soils. It has proved capable of growing vigorously in very wet areas, such as peat swamps which are water-logged for considerable periods of the year. It is a strong limbed tree and as a shelter tree is able to withstand the stress of strong winds. Moderately durable timber, mainly valued as a strong coppicing firewood tree, can be cropped on short rotation.

**Eucalyptus pilularis** Black butt

Susceptibility to frost limits use, but hardens with age. Best growth has been obtained on well drained slopes with reasonably deep soils, but has performed well on a range of soil types; clays, sands, volcanic ash. Is probably the best milling eucalyptus species planted in New Zealand. Timber is considered to be fire resistant used as engineering timber.

**Eucalyptus regnans** Mountain ash

The tallest of the eucalyptus species, known to grow 300 feet in ideal conditions.

The tree grows well in various areas throughout New Zealand and gives best response in deep loamy soils. It is the most versatile hardwood. Firewood.

**Eucalyptus saligna** Sydney blue gum

A tall growing straight tree, very handsome with a smooth steel grey trunk, often with a stocking of rough bark at the base. E.saligna needs a well drained site preferably with some clay for timber quality. It coppices freely. Firewood.

**Eucalyptus sideroxylon** Rosea Mugga iron bark (red iron bark)

E.sideroxylon is the hardiest of the iron barks; a tree able to stand exposure of some severity. It is called red iron bark on account of its rich, red coloured timber. The timber is ground durable and suitable for fencing or railway sleepers, grows best in well drained soils. Will tolerate extended dry periods and hot summers. Ornamental tree. Good honey tree. Attracts native birds.

**Eucalyptus viminalis** Manna Gum

Attractive, hardy tree tolerant of drought and frost. Reliable coppicer providing good fuelwood. Provides good tall shelter on dry exposed sites.

<b>EXOTIC SPECIES</b>						
PRICES DO NOT INCLUDE GST						
		PRICING:				
NAME	DESCRIPTION	GRADE	1-12	13-99	100-999	1000+
ACACIA melanoxylon	<b>Tasmanian Blackwood</b> Excellent for timber, firewood and shelter. Dense green foliage and pale yellow flowers late winter. Tolerates most sites	RT	\$1.78	\$1.57	\$1.30	\$1.20
ACACIA pravissima	<b>Ovens wattle</b> Graceful small tree with unusual triangular leaves and yellow flowers in spring. Fast growing shelter, screen and good for floral work. Hardy 5m	RT	\$1.78	\$1.57	\$1.30	
ACORUS gramineus	<b>Ogon</b> Grass like tufts with yellow and green stripes. Needs some moisture to do well. A mini green type also available.	10cm pot	\$2.83	\$2.83		
AGAPANTHUS	<b>Streamline</b> An outstanding free flowering dwarf cultivar, blue flowers appearing on 30 to 40cm stems from late spring to early summer. Good as a low border. Hardy	10cm pot	\$2.83	\$2.83		
ALBIZIA julibrissin	<b>Silk tree</b> Ideal shade tree and garden specimen, ferny foliage and pink fluffy flowers in summer. Deciduous. 5x4m.	PB5	\$12.13	\$12.13		
ALNUS acuminata/ jorullensis	<b>Evergreen Alder</b> Quick growing tree for shelter/screening. Attractive green leaves; can be clipped. 8m	RT PB5	\$1.78 \$13.29	\$1.57 \$13.29	\$1.57	
ALNUS cordata	<b>Italian alder</b> Excellent fast growing shelter tree or handsome plain green deciduous tree. Attractive catkins hang gracefully for long periods after leaves have fallen. 6x4m.	RT	\$1.78	\$1.57	\$1.30	\$1.20
ALNUS glutinosa	<b>Black Alder</b> Quick growing deciduous tree. Tolerates salt winds, wet clays and marshlands. Deep rooted nitrogen fixing tree. Cold hardy coppicing firewood tree.	RT	\$1.78	\$1.57	\$1.30	\$1.20
ALNUS rubra	<b>Red Alder</b> Graceful, slightly pendulous branches; red buds bursting into 10-15cm catkins in spring. Hardy, deciduous & very fast growing. Valuable timber in moist site.	RT	\$1.78	\$1.57	\$1.30	\$1.20
BANKSIA integrifolia	<b>Coast banksia</b> Lime yellow flower spikes, popular for shelter and attracts birds. Ideal coastal tree.	RT 10cm pot PB5	\$1.78 \$2.83 \$12.13	\$1.57 \$2.83 \$12.13	\$1.30	\$1.20
BETULA pendula	<b>Silver Birch</b> Adaptable to a wide range of conditions, deciduous. 8 x 5m	RT PB5	\$1.78 \$12.13	\$1.57 \$12.13	\$1.30	\$1.20
BUXUS sempervirens	<b>Box /Buxus</b> Used for dwarf edging and topiary. Slow grower. Trims well. Excellent in pots.	5cm pot 10cm pot PB3	\$2.83 \$4.35 \$7.96	\$2.83 \$4.35 \$7.96		
CALLISTEMON	<b>Bottle brush</b> Small tree with masses of red flowers in spring. Drought, frost and wind resistant; evergreen. 4m.	RT PB3	\$1.78 \$7.96	\$1.57 \$7.96	\$1.30	\$1.20
CAMELLIA	<b>Nicky Crisp</b> Compact growth habit. Large semi double pale pink blooms. Excellent hedge. Hardy. 2 x 1m	12cm pot	\$5.22	\$5.22		
CAMELLIA SASANQUA	<b>Setsugekka</b> Large white semi double flowers in autumn. Very popular for hedging.	12cm pot	\$5.22	\$5.22		
CASUARINA cunninghamiana	<b>River she-oak</b> Good shelter belt and noise barrier. Grows well on river banks for erosion control, tolerant to most sites. Fast growing evergreen.	RT	\$1.78	\$1.57	\$1.30	\$1.20
CHAMAECYTISUS palmensis	<b>Tagasaste, tree lucerne</b> Excellent nurse crop, stock fodder and drought insurance. Prefers dry sites; nitrogen fixing. 3m.	RT	\$1.78	\$1.57	\$1.30	\$1.20

<b>EXOTIC SPECIES</b>						
PRICES DO NOT INCLUDE GST						
		PRICING:				
NAME	DESCRIPTION	GRADE	1-12	13-99	100-999	1000+
COLEONEMA	<b>Sunset gold</b> Low growing shrub with aromatic, bright golden feathery foliage. Masses of pink flowers.	5cm pot	\$2.83	\$2.83		
CRYPTOMERIA japonica	<b>Japanese cedar</b> Excellent shelter. Quick growing and attractive pyramidal form.11m.	RT	<b>\$1.78</b>	<b>\$1.57</b>	<b>\$1.30</b>	<b>\$1.20</b>
CUPRESSOCYPARIS ovensii	<b>Improved version of Leightons Green</b> Excellent hedging and timber tree. Grows rapidly and is wind hardy. Evergreen	5cm pot PB3	\$3.04 \$7.96	\$3.04 \$7.96		
CUPRESSOCYPARIS leylandii	<b>Leyland cypress (Leightons green)</b> Excellent evergreen hedging and timber tree. Grows rapidly and is wind hardy.	5cm pot	\$3.04	\$3.04		
CUPRESSUS lusitanica	<b>Mexican cypress, Lismore seedline</b> Excellent timber and shelter tree; tolerant of dry sites. Evergreen. 20m.	RT	<b>\$1.78</b>	<b>\$1.57</b>	<b>\$1.30</b>	<b>\$1.20</b>
CUPRESSUS macrocarpa	<b>Monterey cypress</b> Fast growing evergreen tree. Good timber on fertile, sheltered well drained sites. Salt and dry tolerant. Cold hardy	RT	<b>\$1.78</b>	<b>\$1.57</b>	<b>\$1.30</b>	<b>\$1.20</b>
DIETES iridioides and grandflora	Clump forming sword-shaped foliage. Has showy white flowers with buttery yellow and mauve centre. Excellent landscaping plant. Copes well with both heat and dry. 1m x 0.5m.	RT 10cm pot PB3	<b>\$1.78</b> \$2.83 \$7.96	<b>\$1.57</b> \$2.83 \$7.96	<b>\$1.30</b>	
EUONYMUS	<b>Emerald Gem</b> Small green box-like leaves that clips well. An alternative to the usual box hedging.	5cm pot	\$2.83	\$2.83		
FEIJOA sellowiana	<b>Pineapple Guava</b> Fruit are eaten raw or made into jam. Pretty red flowers can be pruned as a single- trunked small tree or clipped as attractive hardy hedge.	RT PB3	<b>\$1.78</b> \$7.96	<b>\$1.57</b> \$7.96	<b>\$1.30</b>	<b>\$1.20</b>
GREVILLEA	<b>Bronze Rambler</b> A hardy quick growing ground cover with attractive green and bronze foliage. Crimson toothbrush like flowers in spring and throughout the year. Prefers well drained sites 30cm high x1.5m spread	5cm pot	\$3.48	\$3.48		
GREVILLEA	<b>Cream and green</b> Hardy compact evergreen shrub with fine green foliage and lemon/green flowers in winter and spring. Bird attracting. 1m	5cm pot PB3	\$3.48 \$7.96	\$3.48 \$7.96		
GREVILLEA	<b>Mt Tamboritha</b> A lovely prostrate spreading evergreen with clusters of pink and cream flowers. Very hardy 1m spread.	5cm pot	\$3.48	\$3.48		
GREVILLEA	<b>Nancy Otzen</b> Compact growing evergreen shrub with pinkish red flowers from autumn to spring. Bird attracting flowers 1m x 1m	PB3	\$7.96	\$7.96		
GREVILLEA	<b>Scarlet Sprite</b> Hardy evergreen shrub with very fine green foliage and scarlet red flowers in winter and spring. Dry hardy. Bird attracting especially good for bellbirds. 1.5m	PB3	\$7.96	\$7.96		
GINKGO biloba	<b>Maidenhair tree</b> Attractive deciduous pyramidal shaped tree. Lime green leaves turning bright golden yellow in autumn. Prefers moist sites but will tolerate dry once established. 7x4m.	PB5	\$12.13	\$12.13		
HOSTA	<b>Assorted varieties</b>	10cm pot	\$3.48	\$3.48		
LAVANDULA stoechas	<b>Pukehou</b> Striking variety with large purple flowers. Flowers in spring and summer. Good for hedging 70cm.	5cm pot	\$2.83	\$2.83		
LAVANDULA stoechas	<b>Major</b> Popular new hybrid variety with reddish- purple flowers and attractive habit; sunny well drained site.	5cm pot	\$2.83	\$2.83		

<b>EXOTIC SPECIES</b>						
PRICES DO NOT INCLUDE GST						
NAME	DESCRIPTION	GRADE	PRICING:			
			1-12	13-99	100-999	1000+
LAVANDULA x intermedia	<b>Grosso</b> Sweet scented violet flower produced from late Dec through to autumn. Leading producer of lavender oil.	5cm pot	\$2.83	\$2.83		
LEUCADENDRON	<b>Safari Sunset</b> Large bracts colour to brilliant wine/red in winter. Particularly vigorous hybrid. Strong erect growth habit. Very popular for cut flower. 2x2m.	5cm pot PB5	\$3.48 \$12.13	\$3.48 \$12.13		
LIQUIDAMBER styraciflua	<b>Liquidamber</b> Pyramidal shaped deciduous tree with large green maple-like leaves that turn to brilliant shades of red, burgundy, yellow, orange in autumn. 10m.	RT PB5	\$1.78 \$12.13	\$1.57 \$12.13	\$1.30	
LONICERA nitida	<b>Box honeysuckle</b> A hardy quick growing shrub with dark green foliage. Excellent for a border, small hedge or topiary work. Will grow in most soils. 1.5m.	RT 10cm pot	\$1.78 \$2.83	\$1.57 \$2.83	\$1.30	\$1.20
MAGNOLIA grandiflora	<b>Little Gem</b> Extremely popular evergreen magnolia. 'Little Gem' is prized for its compact upright growth habit. Stunning large fragrant cream flowers in summer and glossy dark green foliage. Hardy 5 x 3m.	PB5	\$12.13	\$12.13		
MELALEUCA linariifolia	<b>Paperbark/snow in summer</b> Fast growing evergreen tree with a spreading crown and white, papery bark. Short white bottlebrush like flower spikes bloom at the branch tips from late spring. It grows naturally in swampy sites but will adapt to most soil types.	RT	\$1.78	\$1.57	\$1.30	
NANDINA domestica	<b>Pygmea</b> Compact evergreen shrub with lime green summer foliage, turning bright red in autumn. Hardy. 60x60cm	5cm pot PB3	\$2.83 \$7.96	\$2.83 \$7.96		
OLEA europaea	Manzanillo, Verdale, Barnea, El grecco	PB5	\$12.13	\$12.13		
OPHIOPOGON planiscapus	<b>Nigrescens</b> Black mondo grass with liquorice black leaves. Suited to fertile, free draining soils in sun or semi shade. Very striking when mass planted.	5cm pot	\$3.48	\$3.48		
OPHIOPOGON japonicus & planiscapus	<b>Green mondo and dwarf mondo grass</b> Small grass-like plant with short narrow deep green leaves. Most effective when massed as a border or used under specimens in pots. Very hardy.	10cm pot	\$2.83	\$2.83		
PHOTINIA	<b>Red Robin</b> Hardy evergreen large shrub. Dark green foliage with stunning bright red new growth. Excellent hedging plant. Best in full sun for maximum colour. Tolerates a wide range of sites. 2.5m x 1.5m.	5cm pot PB3	\$3.04 \$7.96	\$3.04 \$7.96		
PINUS pinea	<b>Stone pine</b> Quality timber tree. Edible seeds - sold in health food shops. Hardy; will tolerate coastal sites. Medium sized tree.	RT PB3	\$1.78 \$7.96	\$1.57 \$7.96	\$1.30	
PINUS radiata	G.F. 16	RT	\$1.78	\$1.57	\$1.30	\$1.20
PRUNUS lusitanica	<b>Portuguese Laurel</b> Evergreen shrub or small tree with smooth stems and reddish branchlets. Leaves are dark green and glossy. White scented flowers in late spring and summer. Good specimen tree or hedging. 5x4m	PB5	\$12.13	\$12.13		
QUERCUS palustris	<b>Pin Oak</b> Large broadly spreading handsome deciduous tree with leaves turning brilliant scarlet, yellow and reddish bronze in autumn, 8x6m.	RT PB5	\$1.78 \$12.13	\$1.57 \$12.13	\$1.30	\$1.20
QUERCUS RUBRA	<b>Red Oak</b> One of the finest of the North American oaks, providing the most brilliant autumn colour of the whole family. Forms a stately specimen. Deciduous 7x5m.	RT	\$1.78	\$1.57	\$1.30	

<b>EXOTIC SPECIES</b>						
<b>PRICES DO NOT INCLUDE GST</b>				<b>PRICING:</b>		
<b>NAME</b>	<b>DESCRIPTION</b>	<b>GRADE</b>	<b>1-12</b>	<b>13-99</b>	<b>100-999</b>	<b>1000+</b>
ROSMARINUS	<b>Tuscans blue</b> Upright rosemary with violet/blue flowers in rich green, fragrant foliage. 1m.	RT 10cm pot	\$1.78 \$2.83	\$1.57 \$2.83	\$1.30	
ROSMARINUS prostrata	<b>Prostrate rosemary</b> Low growing rosemary, excellent for ground cover and on banks or over walls. 30cm.	10cm pot	\$2.83	\$2.83		
SALIX babylonica	<b>Weeping Willow and Golden Willow</b>	PB5	\$9.50	\$9.50		
SEQUOIA sempervirens	<b>California Redwood</b> Very tall elegant conifer tolerant of dry or moist sites. Produces durable high quality timber. 8-70m.	RT PB3	\$1.78 \$7.96	\$1.57 \$7.96	\$1.30	
TAXODIUM distichum	<b>Swamp cypress</b> Attractive deciduous conifer. Leaves turning rusty red in autumn. Excellent large tree for wet sites. Hardy	RT PB3	\$1.78 \$8.65	\$1.57		
THUJA plicata	<b>Western Red Cedar</b> Fine dense shelter, specimen and timber tree for cool, moist sites. Excellent hedging. Very hardy conifer	RT	\$1.78	\$1.57	\$1.30	\$1.20
THUJA occidentalis	<b>Smaragd</b> A compact small tree with dense, glossy, bright green foliage. Striking foliage right through Winter. Slow growing conifer reaching approx 2m in 10 years. Ideal specimen planting and also suitable as hedging. 7m.	12cm pot PB5	\$5.22 \$12.13	\$5.22 \$12.13		
TRACHELOSPERMUM jasminoides	<b>Star Jasmine</b> Attractive climber or groundcover with glossy foliage and fragrant white flowers in spring and summer. Evergreen. Full sun or part shade.	5cm pot 12cm pot PB3	\$3.48 \$5.22 \$7.96	\$3.48 \$5.22 \$7.96		
VIBURNUM tinus	<b>Eve Price</b> Bushy evergreen with dark green leathery leaves and clusters of red/pink buds opening to white flowers in summer and autumn. Good for hedges. Full sun or part shade. Approx 2m	5cm pot PB3	\$3.48 \$7.96	\$3.48 \$7.96		

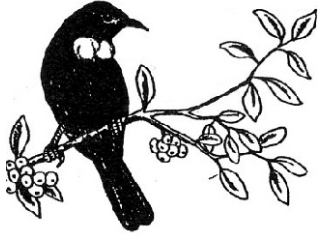
<b>NATIVE SPECIES</b>						
<b>PRICES DO NOT INCLUDE GST</b>				<b>PRICING:</b>		
<b>NAME</b>	<b>DESCRIPTION</b>	<b>GRADE</b>	<b>1-12</b>	<b>13-99</b>	<b>100-999</b>	<b>1000+</b>
AGATHIS australis	<b>Kauri</b> Excellent timber or specimen tree. Needs moisture and prefers partial shade; majestic forest giant.	5cm pot 12cm pot	\$3.48 \$5.22	\$3.48 \$5.22		
ALECTRYON excelsus	<b>Titoki</b> Attractive lowland tree. Excellent specimen tree, frost tender when young; attracts birds.	RT 10cm pot PB3	<b>\$1.78</b> \$2.83 \$7.96	<b>\$1.57</b> \$2.83 \$7.96	<b>\$1.30</b>	<b>\$1.20</b>
ANEMANTHELE lessoniana	<b>Gossamer grass</b> Graceful weeping grass with green and orange/red foliage in full sun or green in shade. Flowering spikelets rosy red.	RT 10cm pot PB3	<b>\$1.78</b> \$2.83 \$7.96	<b>\$1.57</b> \$2.83 \$7.96	<b>\$1.30</b>	<b>\$1.20</b>
ARTHROPODIUM cirratum	<b>Renga renga lily</b> Ideal plant for dry, shady frost free sites. White flowers in spring; largely used for mass planting.	RT	<b>\$1.78</b>	<b>\$1.57</b>	<b>\$1.30</b>	<b>\$1.20</b>
ASPENIUM bulbiferum	<b>Hen &amp; Chicken Fern</b> Attractive fern with bright green lacy fronds. Ideal for indoors, ferneries & patio baskets. Also good mass planted under big trees. 60 x 60cm.	10cm pot 2.5ltr pot	\$3.48 \$12.13	\$3.48 \$12.13		
ASPENIUM bulbiferum x oblongifolia	Attractive shiny green fronds. plant in shade or part shade. Useful under trees Approx 60cm	10cm pot 2.5ltr pot	\$3.48 \$12.13	\$3.48 \$12.13		
CAREX	<b>Bronze Warrior</b> Similar to Carex testacea but with olive/copper colourings. Excellent for mass planting. 60 x 60cm.	RT 10cm pot PB3	<b>\$1.78</b> \$2.83 \$7.96	<b>\$1.57</b> \$2.83 \$7.96	<b>\$1.30</b>	<b>\$1.20</b>
CAREX buchananii	<b>Brown or leatherleaf Sedge</b> Reddish-brown tussock like grass with an erect habit. Ideal mass planted. Tolerates most sites including coastal and dry. 75cm	RT 10cm pot PB3	<b>\$1.78</b> \$2.83 \$7.96	<b>\$1.57</b> \$2.83 \$7.96	<b>\$1.30</b>	<b>\$1.20</b>
CAREX comans	<b>Red or green</b> Red or green fine leaved foliage. 40 x 40cm	RT 10cm pot	<b>\$1.78</b> \$2.83	<b>\$1.57</b> \$2.83	<b>\$1.30</b>	<b>\$1.20</b>
CAREX secta	<b>Pukio</b> Large vigorous green sedge; forms lifted tufts in swamps. Grows best in wet or damp soils. 1.5m	RT	<b>\$1.78</b>	<b>\$1.57</b>	<b>\$1.30</b>	<b>\$1.20</b>
CAREX testacea	Attractive garden plant used extensively in landscaping. Foliage colour is green at base colouring orange on top. Best in full sun. 60 x 60cm	RT 10cm pot PB3	<b>\$1.78</b> \$2.83 \$7.96	<b>\$1.57</b> \$2.83 \$7.96	<b>\$1.30</b>	<b>\$1.20</b>
CHIONOCHLOA flavicans	Striking dwarf toe toe with lime plumes in spring. 1m x 1m	RT 10cm pot	<b>\$1.78</b> \$2.83	<b>\$1.57</b> \$2.83	<b>\$1.30</b>	<b>\$1.20</b>
CLIANTHUS puniceus 'Roseus' 'Maximus'	<b>Kakabeak</b> Popular spreading shrub with pendulous clusters of red flowers. Now rare in the wild. 1.5m x 1.5m	RT 10cm pot PB5	<b>\$1.78</b> \$2.83 \$12.13	<b>\$1.57</b> \$2.83 \$12.13	<b>\$1.30</b>	<b>\$1.20</b>
COPROSMA	<b>Taiko, Hawera, Black Cloud, Kirkii</b> All very hardy and low growing ground covers	10cm pot PB3	\$2.83 \$7.96	\$2.83 \$7.96		
COPROSMA prostrata	Excellent weed-suppressing groundcover with small shiny green leaves. Tolerant of heat, drought and coastal sites. Full sun. 15-50cm high x 1.5m wide	10cm pot	\$2.83	\$2.83		
COPROSMA repens	<b>Taupata</b> Evergreen shrub with glossy green leaves. Showy clusters of orange berries that are bird attracting. Coastal hardy. Can be hedged. 4m	10cm pot	\$2.83	\$2.83		
COPROSMA robusta	<b>Karamu</b> Very hardy evergreen shrub. Tolerates wet, dry, cold and wind. Orange berries attract birds. Height approx 3m.	RT PB3	<b>\$1.78</b> \$7.96	<b>\$1.57</b> \$7.96	<b>\$1.30</b>	<b>\$1.20</b>
CORDYLINA australis	<b>Cabbage tree</b> Unique NZ tree. Long narrow mid green leaves. Panicles of fragrant cream flowers appear in summer. Withstands dry, exposed, coastal or wet conditions. 5m.	RT PB3 PB8	<b>\$1.78</b> \$7.96 \$13.87	<b>\$1.57</b> \$7.96 \$13.87	<b>\$1.30</b>	<b>\$1.20</b>
COROKIA	<b>Bronze King</b> Bronzy foliaged bushy growing shrub. Red berries in winter. Clips well. Hardy 2m	10cm pot PB3	\$2.83 \$7.96	\$2.83 \$7.96		
COROKIA	<b>Frosted Chocolate</b> Leaves are bronze to rich brown. Excellent as a clipped hedge. Full sun. Hardy 2m	10cm pot PB3	\$2.83 \$7.96	\$2.83 \$7.96		

<b>NATIVE SPECIES</b>						
PRICES DO NOT INCLUDE GST				PRICING:		
NAME	DESCRIPTION	GRADE	1-12	13-99	100-999	1000+
COROKIA	<b>Geenty's Green</b> Our most popular corokia. Compact upright growth. Bright green leaves have silvery undersides. Ideal as a single specimen or as a hedge. Hardy 2m.	10cm pot PB3	\$2.83 \$7.96	\$2.83 \$7.96		
CORTADERIA	<b>Toe toe</b> Long narrow coarse bluish green leaves with golden flower plumes. Suits moist, dry, sun or semi shade. Quick growing and hardy. 2.5m	RT	<b>\$1.78</b>	<b>\$1.57</b>	<b>\$1.30</b>	<b>\$1.20</b>
CORYNOCARPUS laevigatus	<b>Karaka</b> A large, glossy-leaved coastal tree that will tolerate dry sites. Produces large orange fleshy drupes that attract birds. Can be used as hedging. Frost tender	RT 10cm pot	<b>\$1.78</b> \$3.48	<b>\$1.57</b> \$3.48	<b>\$1.30</b>	<b>\$1.20</b>
DACRYCARPUS dacrydioides	<b>Kahikatea</b> Our tallest native tree, to 30m. Often found in swamps but will grow well in drier areas. A conical tree with bronzy green foliage & bird attracting berries.	RT PB3	<b>1.78</b> \$7.96	<b>\$1.57</b> \$7.96	<b>\$1.30</b>	<b>\$1.20</b>
DACRYDIUM cupressinum	<b>Rimu</b> Excellent specimen tree. Graceful pendulous branchlets when young, prefers moist site.	12cm pot PB3 PB8	\$5.22 \$7.96 \$13.81	\$5.22 \$7.96 \$13.81		
DODONAEA viscosa	<b>Ake ake</b> Good hedge/shelter for coastal or inland sites. Quick growing. 5m x 2m.	RT PB3	<b>\$1.78</b> \$7.96	<b>\$1.57</b> \$7.96	<b>\$1.30</b>	<b>\$1.20</b>
DODONAEA viscosa Purpurea	<b>Purple Ake ake</b> Rich purple leaves, adds interest to hedging and native plantings.	RT PB3	<b>\$1.78</b> \$7.96	<b>\$1.57</b> \$7.96	<b>\$1.30</b>	<b>\$1.20</b>
GRISELINIA littoralis	<b>Broadway mint</b> Popular attractive glossy green leafed shrub. Very hardy and excellent for shelter/hedging. 5m.	RT 10cm pot PB3 PB8	<b>\$1.78</b> \$2.83 \$7.96 \$13.87	<b>\$1.57</b> \$2.83 \$7.96 \$13.87		
HEBE	<b>Speciosa blue</b> Large leaves with dark blue large flowers. 1m.	10cm pot PB3	\$2.83 \$7.96	\$2.83 \$7.96		
HEBE	<b>Mixed Hebes</b>	10cm pot	\$2.83	\$2.83		
HEBE	<b>Inspiration</b> Compact evergreen shrub with dark green shiny leaves. Purple flowers mainly in summer. Good for coastal sites. to 1m untrimmed.	10cm pot	\$2.83	\$2.83		
HEBE	<b>Topiaria</b> A compact shrub with small glaucous leaves topped with broad-tipped white flowers. Hardy. 1m x 1m.	10cm pot	\$2.83	\$2.83		
HEBE	<b>Townsonii</b> White flowers with a hint of mauve from spring to summer. Excellent for landscaping, hedge or as a specimen. Hardy 1x1m.	10cm pot PB3	\$2.83 \$7.96	\$2.83 \$7.96		
HEBE	<b>Diosmifolia</b> Hardy shrub, smothered in tiny pale lavender fading to white flowers in spring.	5cm pot PB3	\$2.83 \$7.96	\$2.83 \$7.96		
HEBE	<b>Wiri mist</b> Compact evergreen shrub with fresh green leaves. Small white flowers smother the bush in spring. Hardy. 40cm	10cm pot	\$2.83	\$2.83		
HEBE	<b>Wiri prince</b> Quick growing evergreen with long deep purple flowers in early spring and then again in autumn. Coastal tolerant. 1.5m	10cm pot	\$2.83	\$2.83		
HEBE stricta	<b>Koromiko</b> Rounded, bushy shrub with white flowers during summer. Hardy in most areas. 1.5x1.5m.	RT PB3	<b>\$1.78</b> \$7.96	<b>\$1.57</b> \$7.96	<b>\$1.30</b>	<b>\$1.20</b>
HOHERIA populnea	<b>Lacebark</b> Graceful, erect, poplar like tree with creamy white flowers. Full sun, frost hardy.	RT	<b>\$1.78</b>	<b>\$1.57</b>	<b>\$1.30</b>	<b>\$1.20</b>

<b>NATIVE SPECIES</b>						
<b>PRICES DO NOT INCLUDE GST</b>				<b>PRICING:</b>		
<b>NAME</b>	<b>DESCRIPTION</b>	<b>GRADE</b>	<b>1-12</b>	<b>13-99</b>	<b>100-999</b>	<b>1000+</b>
KUNZEA ericoides	<b>Kanuka</b> Common in scrub and forest margins especially drier sites. Excellent firewood.	RT PB3	\$1.78 \$7.96	\$1.57 \$7.96	\$1.30	\$1.20
LEPTOSPERMUM scoparium	<b>Manuka or Tea Tree</b> Hardy small tree suited to most climates; valuable nurse species. Fast growing with aromatic leaves and white flowers. 4m tall.	RT PB3	\$1.78 \$7.96	\$1.57 \$7.96	\$1.30	\$1.20
LEPTOSPERMUM	<b>Burgundy Queen</b> Dark red double flowers in summer against dark red foliage. 2m.	5cm pot PB3	\$2.83 \$7.96	\$2.83 \$7.96		
LEPTOSPERMUM	<b>Crimson Glory</b> Large crimson red double flowers borne in summer on reddish foliage. Compact habit. Excellent garden specimen. 1.5m.	5cm pot PB3	\$2.83 \$7.96	\$2.83 \$7.96		
LEPTOSPERMUM	<b>Kea</b> Dwarf manuka with reddish green foliage and very pale pink flowers in summer. 50cm	PB3	\$7.96	\$7.96		
LEPTOSPERMUM	<b>Red Demask</b> Double red flowers in summer. Bronze foliage of upright habit. 2m.	5cm pot PB3	\$2.83 \$7.96	\$2.83 \$7.96		
LEPTOSPERMUM	<b>Wiri Kerry</b> Double red flowers in autumn and spring with red-bronze foliage. Compact habit. Needs full sun and trimming to preserve shape and vigour. Hardy evergreen. 75cm.	5cm pot PB3	\$2.83 \$7.96	\$2.83 \$7.96		
LIBERTIA ixioides & grandiflora	<b>NZ Iris</b> Narrow flax-like leaves turning yellow orange in sun. White flowers in spring. Will tolerate dry shade. 30x30cm.	RT	\$1.78	\$1.57	\$1.30	\$1.20
LIBERTIA peregrinans	<b>NZ Iris</b> Very hardy, extremely useful foliage plant for use with rocks, stones or pebbles. Orange foliage. 30cm	10cm pot	\$3.48	\$3.48		
LOPHOMYRTUS	<b>Kathryn</b> Attractive evergreen shrub with deep reddish burgundy foliage intensifying in the cooler months. Excellent for screening and cut foliage. 2m	PB3	\$7.96	\$7.96		
LOPHOMYRTUS	<b>Red Dragon</b> A valuable medium size shrub providing outstanding winter colour to highlight the garden. New growth brilliant reddish-pink darkening to blackish-red with age and cold conditions. Great for cut foliage.	10cm pot	\$3.48	\$3.48		
MELICYTUS ramiflorus	<b>Mahoe, Whiteywood</b> Dark green foliage with black berries; common tree in clearings and forest margins. Hardy small tree.	RT	\$1.78	\$1.57	\$1.30	\$1.20
METROSIDEROS excelsa	<b>Pohutukawa excelsa</b> Beautiful spreading evergreen with masses of crimson red nectar producing flowers in summer. Excellent coastal specimen tree. Frost tender when young	RT PB5	\$1.78 \$12.13	\$1.57 \$12.13	\$1.30	\$1.20
MYOPORUM laetum	<b>Ngaio</b> Quick growing dense evergreen tree. Very wind and dry tolerant including coastal. Trims well. Frost tender when young. Poisonous to stock. 5m	RT PB3	1.78 \$7.96	\$1.57 \$7.96	\$1.30	\$1.20
OLEARIA paniculata	Attractive hardy bushy tree. Excellent as a hedge. Fragrant creamy white flowers in autumn. Copes with very dry sites. Suits coastal conditions. 3-4m	7cm pot PB3	\$1.78 \$7.96	\$1.57	\$1.57	
PHORMIUM cookianum	<b>Mountain flax</b> Weeping bright green flax suited to coastal and dry sites. Spring flowering and great for the birds. 1.5m	RT PB3	\$1.78 \$7.96	\$1.57 \$7.96	\$1.30	\$1.20
PHORMIUM tenax	<b>NZ flax</b> Large clumping evergreen. Tolerant of a wide range of conditions including wet, dry and coastal. Excellent shelter. 2.5m. Bird attracting.	RT PB3	\$1.78 \$7.96	\$1.57 \$7.96	\$1.30	\$1.20

<b>NATIVE SPECIES</b>						
PRICES DO NOT INCLUDE GST				PRICING:		
NAME	DESCRIPTION	GRADE	1-12	13-99	100-999	1000+
PHORMIUM tenax	<b>Purpureum</b> Attractive bronze, purple foliage tolerant of most sites, black autumn seed heads. 1.5m-2m	RT PB3	\$1.78 \$7.96	\$1.57 \$7.96	\$1.30	\$1.20
PHORMIUM	<b>Black Rage</b> An excellent clump forming flax with dark brown and bronze erect foliage. Excellent garden specimen. Coastal tolerant. Very hardy. Approx 1m x1m	10cm pot PB5	\$4.35 \$12.13	\$4.35 \$12.13		
PHORMIUM	<b>Surfer and Surfer bronze</b> Dwarf clumping flax with twisted bronze-green leaves; very attractive. Approx 70cm x 70cm	10cm pot PB3	\$3.51 \$8.84	\$3.51 \$8.84		
PHORMIUM	<b>Evening Glow</b> Graceful weeping flax with rich pink and bronze leaves. Approx 1 x 1m.	10cm pot PB5	\$4.35 \$12.13	\$4.35 \$12.13		
PHORMIUM	<b>Jester</b> A real winner. A clump forming flax producing arching leaves with stunning pink centres and lime green margins. Excellent all round garden specimen. Ideal for coastal and dry sites.. 90cm	10cm pot PB5	\$4.35 \$12.13	\$4.35 \$12.13		
PHORMIUM	<b>Platts Black</b> Clumping, weeping habit with dark chocolate foliage Excellent for coastal, subtropical or mass plantings. Hardy. 1x1m.	10cm pot PB5	\$4.35 \$12.13	\$4.35 \$12.13		
PHORMIUM	<b>Rainbow Red</b> Stunning fine leaved clumping flax with pinkish red leaves. Hardy. Approx 1m	10cm pot PB5	\$4.35 \$12.13	\$4.35 \$12.13		
PHORMIUM	<b>Dark delight</b> Clumping upright habit with stunning deep burgundy colouring. Hardy. Approx 1m	10cm pot PB5	\$4.35 \$12.13	\$4.35 \$12.13		
PHORMIUM	<b>Dazzler</b> Upright flax with rich dark red and deep pink broad leaves. Coastal and wind hardy. Approx 1.2m	PB5	\$8.65	\$8.65		
PHORMIUM	<b>Yellow Wave</b> Stunning yellow bands contrasting with green striped edges Excellent all round garden specimen growing anywhere from dry to swampy conditions. Withstands strong coastal winds. Approx 1.2 x 1m.	10cm pot PB5	\$4.35 \$12.13	\$4.35 \$12.13		
PITTOSPORUM crassifolium	<b>Karo</b> Hardy evergreen shrub or small tree with thick rounded leaves and cream undersides. Excellent as hedging and coastal sites. 4m.	RT PB3 PB8	\$1.78 \$7.96 \$13.87	\$1.57 \$7.96 \$13.87	\$1.30	\$1.20
PITTOSPORUM eugenioides	<b>Lemonwood</b> Fast growing shrub often used for screening and shelter. Best in full sun.	RT PB3 PB8	\$1.78 \$7.96 \$13.87	\$1.57 \$7.96 \$13.87	\$1.30	\$1.20
PITTOSPORUM ralphii	<b>Ralphii</b> Hardy small bushy evergreen tree with long leathery green leaves. Good shelter for dry, windy sites. 3-5m	RT PB3	\$1.78 \$7.96	\$1.57 \$7.96	\$1.30	
PITTOSPORUM tenuifolium	<b>Kohuhu</b> Quick growing with variable leaf forms. Suitable for shelter, screening and in native borders. Hardy.	RT PB3	\$1.78 \$7.96	\$1.57 \$7.96	\$1.30	\$1.20
PITTOSPORUM tenuifolium	<b>Golden sheen</b> Attractive evergreen shrub with small golden and green foliage and almost black stems. Ideal for hedging,	PB3	\$7.96	\$7.96		
PITTOSPORUM tenuifolium	<b>Ivory sheen</b> Attractive evergreen shrub with a very compact habit. Small green leaves margined with ivory edges. Lovely as a specimen or hedge. 2.5m	5cm pot PB3	\$3.04 \$7.96	\$3.04 \$7.96		
PITTOSPORUM tenuifolium	<b>Limelight</b> Quick growing evergreen shrub. Leaves have a lime/gold centre with a dark green edge. Hardy. 3m	5cm pot PB3 PB8	\$3.04 \$7.96 \$13.87	\$3.04 \$7.96 \$13.87		
PITTOSPORUM tenuifolium	<b>Mountain Green</b> Very popular shrub with fresh green foliage. Quick growing. Tolerant of a wide range of sites. Hardy. 3-4m	5cm pot 12cm pot PB3 PB8	\$3.04 \$5.22 \$7.96 \$13.87	\$3.04 \$5.22 \$7.96 \$13.87		

<b>NATIVE SPECIES</b>						
<b>PRICES DO NOT INCLUDE GST</b>						
				<b>PRICING:</b>		
<b>NAME</b>	<b>DESCRIPTION</b>	<b>GRADE</b>	<b>1-12</b>	<b>13-99</b>	<b>100-999</b>	<b>1000+</b>
PITTOSPORUM tenuifolium	<b>Silver sheen</b> Pale silver-green leaves on black stems. Ideal as hedge or specimen. Hardy 3m	5cm pot 12cm pot PB3 PB8	\$3.04 \$5.22 \$7.96 \$13.87	\$3.04 \$5.22 \$7.96 \$13.87		
PITTOSPORUM eugenoides	<b>Variegatum</b> Ornamental evergreen with cream and green leaves with a slightly wavy edge. Excellent for hedges, shelter or specimen. 4m	PB3 PB8	7.96 \$13.87	7.96 \$13.87		
PITTOSPORUM tenuifolium	<b>Variegata</b> Cream and green leaves with bushy growth habit. Ideal for hedging or specimen. Hardy 3m	5cm pot 12cm pots PB3 PB8	\$3.04 \$5.22 \$7.96 \$13.87	\$3.04 \$5.22 \$7.96 \$13.87		
PITTOSPORUM tenuifolium	<b>White Knight</b> Compact evergreen with densely packed small silvery/green leaves. Lovely form. 1m high x 1.5 wide	PB3	\$7.96	\$7.96		
PLAGIANTHUS regius	<b>Ribbonwood</b> Very interesting juvenile foliage. Upright garden specimen; branches have lace effect when young. Semi-deciduous in cooler areas.	RT PB3	\$1.78 \$7.96	\$1.57 \$7.96	\$1.30	\$1.20
PODOCARPUS totara	<b>Totara</b> Attractive evergreen tree. Ideal as a specimen tree or makes an excellent dense hedge. Produces very durable timber. Tolerates a wide range of sites.	RT 10cm pot PB3	\$1.78 \$2.83 \$7.96	\$1.57 \$2.83 \$7.96	\$1.30	
PSEUDOPANAX lessonii	<b>Five finger</b> Mixed Hybrids Quick growing tree with bold glossy leaves composed 3-5 leaflets. Withstands winds and dry conditions. Excellent as a specimen, hedging or tub plant. Ideal for dry shade. Easily trimmed. 3-4m.	RT 10cm pot 12cm pot PB5	\$1.78 \$3.48 \$5.22 \$12.13	\$1.57 \$3.48 \$5.22 \$12.13	\$1.57	
RHOPALOSTYLIS sapida	<b>Nikau palm</b> Nikau needs a shady sheltered site, preferably among other trees in a deep moist soil, and can tolerate only light frosts. Slow growing but worth it.	RT 10cm pot 2.5ltr	\$1.78 \$2.83 \$12.13	\$1.57 \$2.83 \$12.13	\$1.30	
SOPHORA	<b>Dragons Gold</b> This dwarf cultivar of the popular Kowhai was selected for its compact rounded growth habit and its large yellow flowers produced from Winter to Summer.	5cm pot PB3	\$3.48 \$7.96	\$3.48 \$7.96		
SOPHORA tetraptera	<b>North Island Kowhai</b> A must for any garden. Stunning golden yellow flowers in spring. Bird attracting 6m.	RT PB3 PB5	\$1.78 \$7.96 \$12.13	\$1.57 \$7.96 \$12.13	\$1.30	



# Discount Native Pack

Buy a mixture of 20 or more  
Pb3 grade plants from the list below and  
pay only \$6.52 + GST each

## BOTANICAL NAME

## COMMON NAME

*Cordyline australis*

*Cabbage tree*

*Leptospermum scoparium*

*Manuka*

*Kunzea ericoides*

*Kanuka*

*Pittosporum tenuifolium*

*Kohuhu*

*Pittosporum crassifolium*

*Karo*

*Pittosporum eugenioides*

*Lemonwood*

*Pittosporum ralphii*

*Hebe stricta*

*Koromiko*

*Dodonea viscosa*

*Purple & green Ake ake*

*Phormium cookianum*

*Mountain Flax*

*Phormium tenax*

*Flax*

*Myoporum laetum*

*Ngaio*

*Plagianthus regius*

*Ribbonwood*